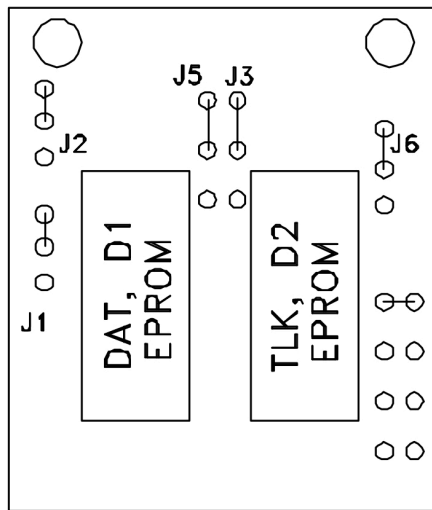


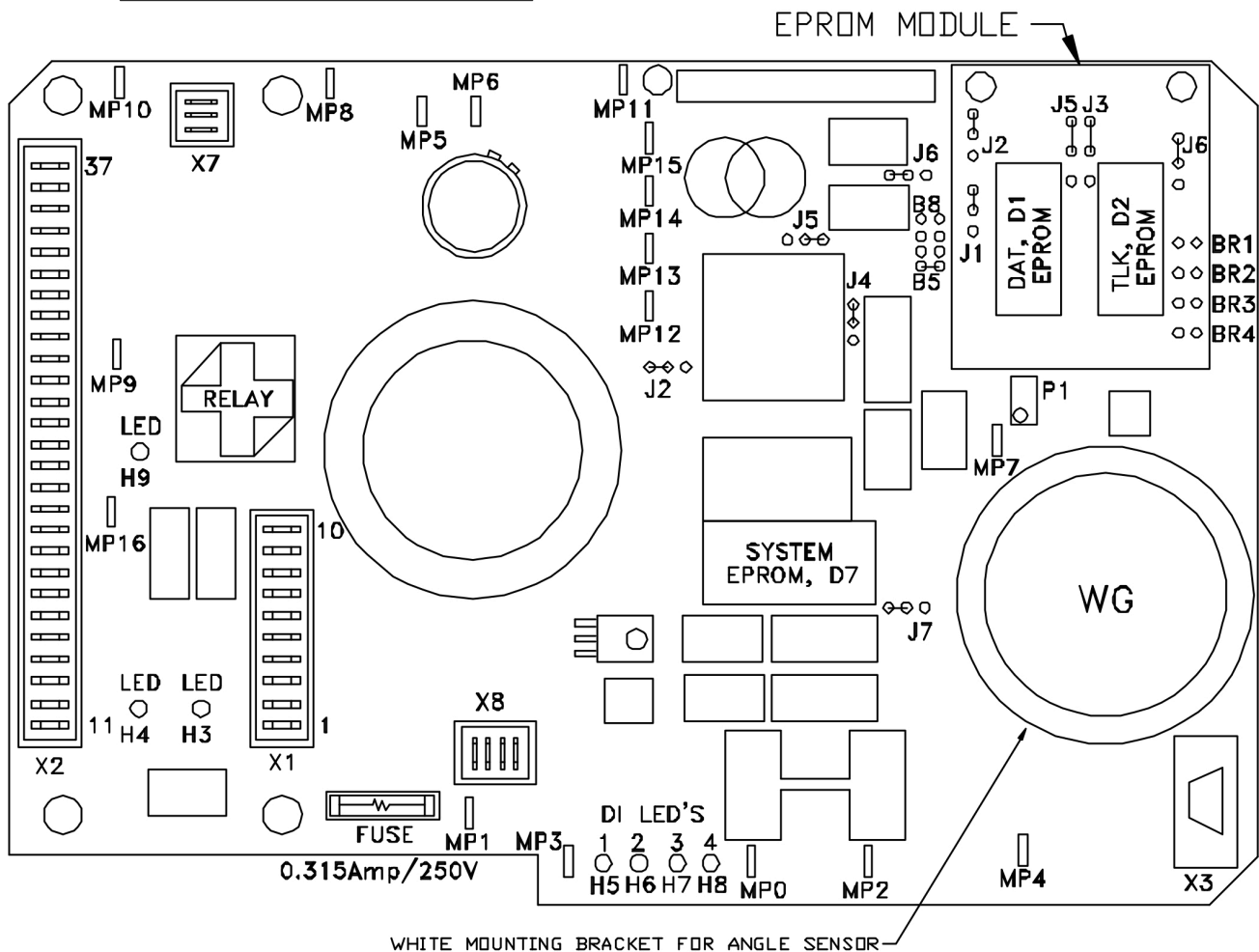
MANITEX PAT DS50 TROUBLESHOOTING

DS50 MAINBOARD DRAWING



INSERT BRIDGE IN APPROPRIATE POSITION

- BR1 - NORMAL LMI OPERATION
- BR2 - BUZZER SOUNDS AT PREWARNING
- BR3 - ZERO PRESSURE TRANSDUCER
- BR4 - ADDITIONAL DISPLAYS FOR TROUBLESHOOTING



Note: Bridge 5 on the main board must be installed if the white mounting bracket is installed between main board and angle sensor.