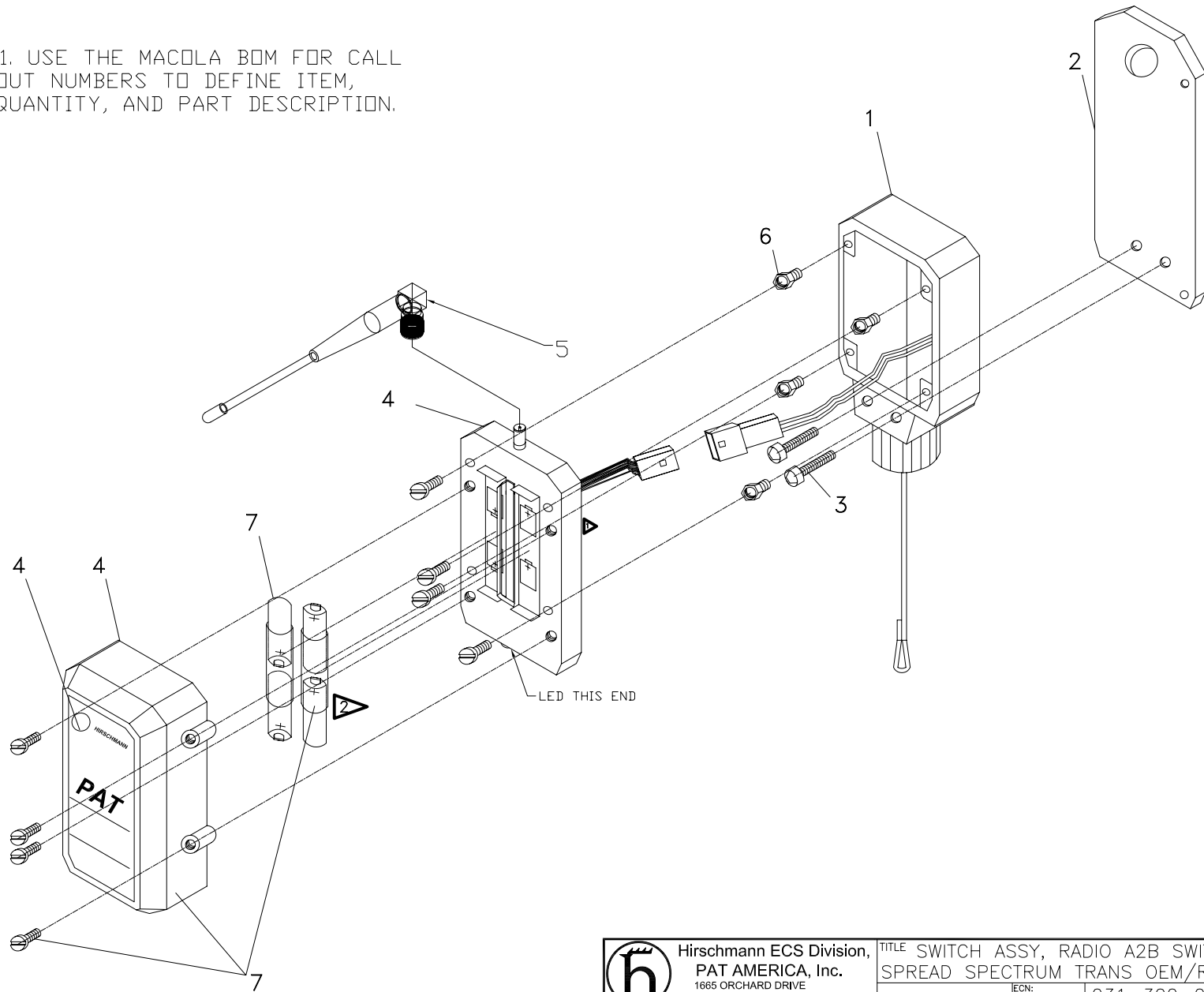



NOTE 1. USE THE MACOLA BOM FOR CALL  
OUT NUMBERS TO DEFINE ITEM,  
QUANTITY, AND PART DESCRIPTION.



 <b>Hirschmann ECS Division,</b> <b>PAT AMERICA, Inc.</b> 1665 ORCHARD DRIVE CHAMBERSBURG, PA 17201	<b>TITLE SWITCH ASSY, RADIO A2B SWITCH,</b> <b>SPREAD SPECTRUM TRANS OEM/RETROFIT</b>	
	GENERAL TOLERANCES ±0.1" 1 PLACE DEC. ±2.5mm ±0.01" 2 PLACE DEC. ±0.25mm ±0.005" 3 PLACE DEC. ±0.13mm 1/16" FRACTION ±1.5mm	ECN: 06-085 031-300-060-593 DRAWN CSH 04/27/06 APPROVED CSH 04/27/06 SCALE: NONE SHEET: 1 OF 1 DWG NO. 031 300 06 0593
PAT America, Inc. reserves proprietary rights to this drawings and to the data shown thereon. The draing and data are confidential and are not to be used or reproduced without the written consent of PAT America, Inc. This drawing is subject to technical modification with out notice.		REV —
C.A.G.E. 79760		