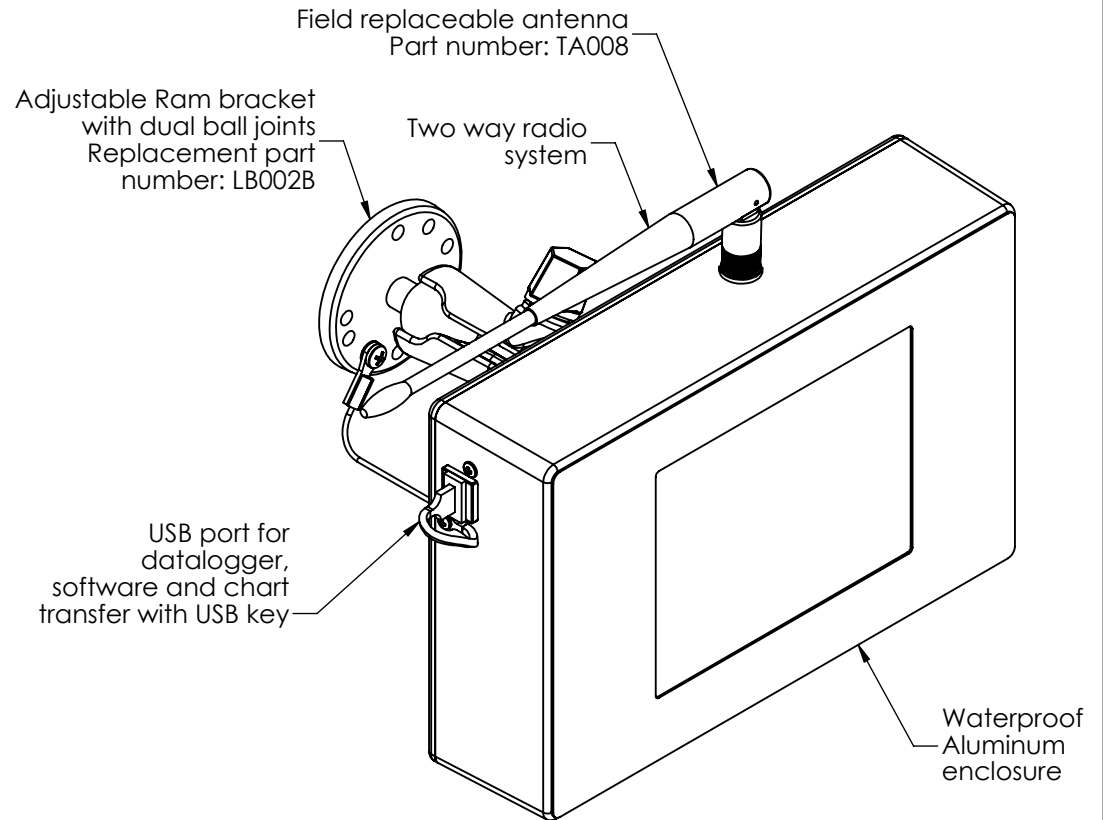


Ram Bracket Footprint.
Only 2 screws are necessary.

All dimensions are expressed in inches
The information in this document is subject to change without notice



Weight units	Pounds, short tons, long tons, kilograms, metric tons
Power supply required	10 to 30 VDC, 1A; plus 1A per lockout relay connected
Power supply cable	Not included. Part number: LB006; 6 way, 6 ft length
Display	320 x 240 pixels (6" diag.)transflective LCD with automatic contrast adjustment and night vision backlight
Data logger memory	More than 32,000 time stamped events
Output	Four internal mosfet relays, 1A each
Operating Temperature	-4 to 158°F
Radio Frequency Band	900 MHz
Radio Power	15 dBm
Weight	3.25 lb

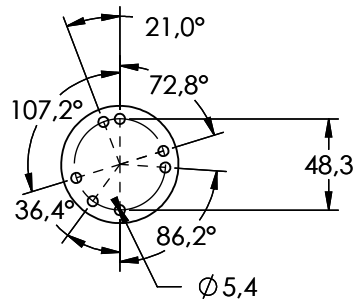
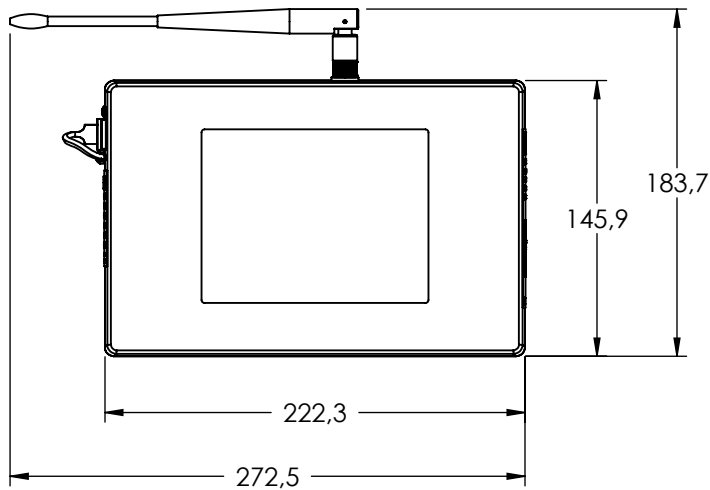
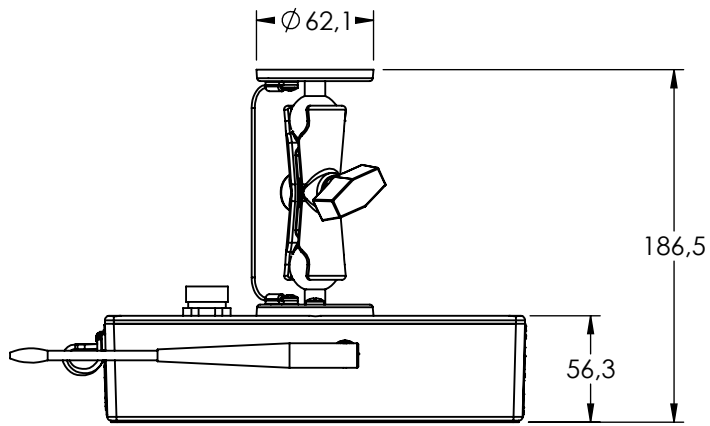
PROPRIETARY AND CONFIDENTIAL

THE INFORMATION CONTAINED IN THIS DRAWING IS THE SOLE PROPERTY OF LOAD SYSTEMS INTERNATIONAL. ANY REPRODUCTION IN PART OR AS A WHOLE WITHOUT THE WRITTEN PERMISSION OF LOAD SYSTEMS INTERNATIONAL IS PROHIBITED.



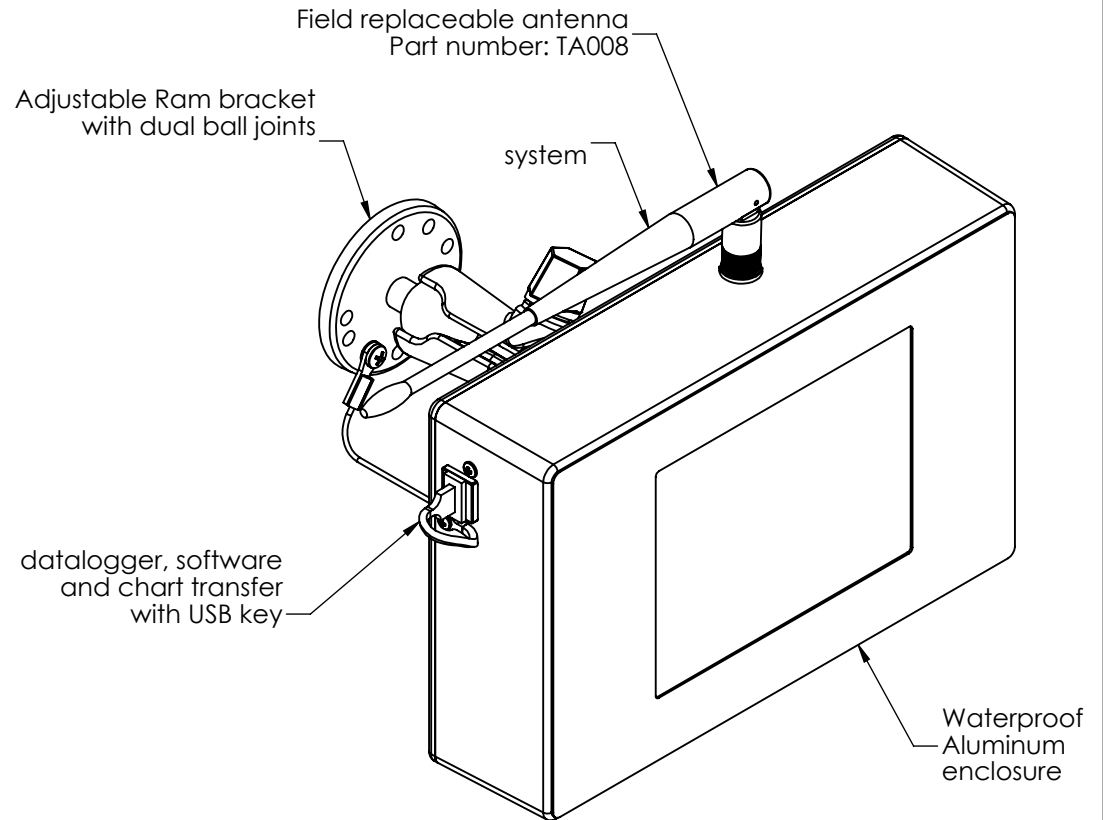
PART NO:	GS820	DWG NO:	DS-GS820	Rev:
----------	-------	---------	----------	------

DESCRIPTION:
Wireless Graphical Display



Ram Bracket Footprint.
Only 2 screws are necessary.

All dimensions are expressed in mm
The information in this document is subject to change without notice



Weight units	Pounds, short tons, long tons, kilograms, metric tons
Power supply required	10 to 30 VDC, 1A; plus 1A per lockout relay connected
Power supply cable	Not included. Part number: LB006; 6 way, 1.8 m length
Display	320 x 240 pixels (15cm diag.) transfective LCD with automatic contrast adjustment and night vision backlight
Data logger memory	More than 32,000 time stamped events
Output	Four internal mosfet relays, 1A each
Operating Temperature	-20 to 70°C
Radio Frequency Band	900 MHz
Radio Power	15 dBm
Weight	1.5 kg

PROPRIETARY AND CONFIDENTIAL

THE INFORMATION CONTAINED IN THIS DRAWING IS THE SOLE PROPERTY OF LOAD SYSTEMS INTERNATIONAL. ANY REPRODUCTION IN PART OR AS A WHOLE WITHOUT THE WRITTEN PERMISSION OF LOAD SYSTEMS INTERNATIONAL IS PROHIBITED.



PART NO:	GS820	DWG NO:	DS-GS820	Rev:
----------	-------	---------	----------	------

DESCRIPTION:
Wireless Graphical Display