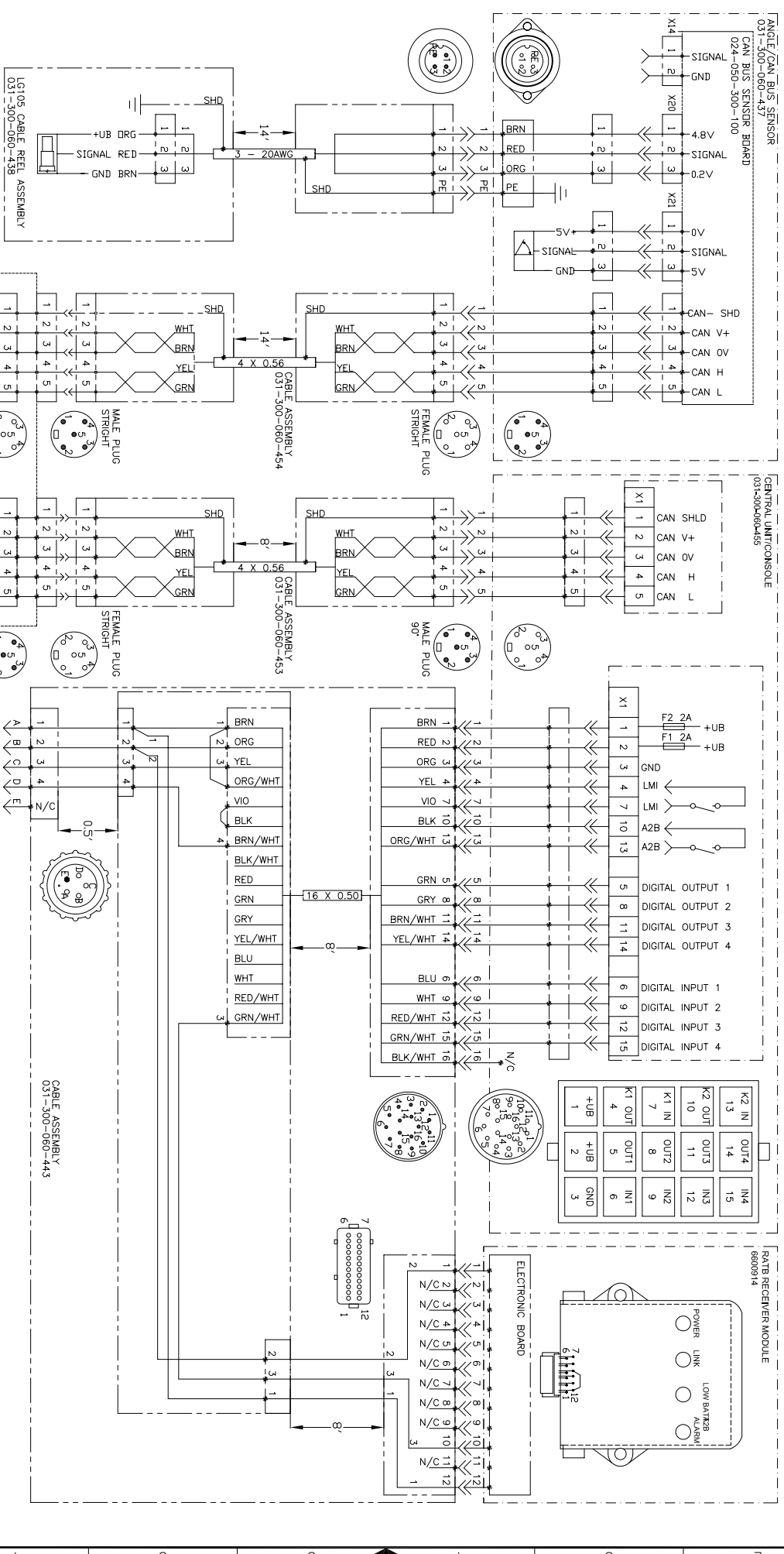


REV	ECN	ZONE	DESCRIPTION	BY	APPV	DATE
C	03-122	B4	CHG CABLE ASSY TO 14' FROM 10'	SM	CSH	10/03/03
D	03-137	4	CHG 0453 & 443 cable length 8/2' CSH	CSH	CSH	11/17/03
E	04/010	A4	CHG CBL ASSY LENGTH TO 8'	CSH	CSH	01/14/04
F	04-021	A7	ADD FLAG TO BDM	CSH	CSH	02/9/04
G	04-053	A4	CHG LG105 CBL ASSY LENGTH TO 14'	CSH	CSH	06/04/04
H	04-113	A4	ADD A2B mtg stud / weight&chain	CSH	CSH	07/08/04
J	05-087	H2	chg 060-443 to 8' from 2'	CSH	CSH	05/10/05



6800915 A2B TRANSMITTER/SWITCH
031-300-060-437
024-050-300-100

LG105 CABLE REEL ASSEMBLY
031-300-060-438

6800914 RFB RECEIVER MODULE
031-300-060-443

031-300-060-454 CABLE ASSEMBLY

031-300-060-453 CABLE ASSEMBLY

031-300-060-443 CABLE ASSEMBLY

6800915 A2B TRANSMITTER/SWITCH
031-300-060-437
024-050-300-100

031-300-060-438 CABLE REEL ASSEMBLY

031-300-060-443 CABLE ASSEMBLY

031-300-060-453 CABLE ASSEMBLY

031-300-060-454 CABLE ASSEMBLY

PAT AMERICA, Inc.
1868 ORCHARD DRIVE
CHAMBERSBURG, PA 17201
General Tolerances
1/2±1/16
X±.1
XXX±.005

DESCRIPTION

DATE	APPROVED BY	DATE	APPROVED BY
01/05/03	CSH	01/05/03	CSH

MANITOWOC BDM TRUCK

DS85 SYSTEM

ECN	02-263	REVISION	031 300 31 1440
SCALE	1 OF 1	SHEET	1 OF 1

REV. J

REV.	A	03-029	4	CHG CABLE LENGTH	SM	CSH	03/28/03
REV.	B	03-109	A5	CHG REEL WIRING TO MATCH 0438	CSH	CSH	09/10/03
REV.	ECN			DESCRIPTION	BY	APVD	DATE