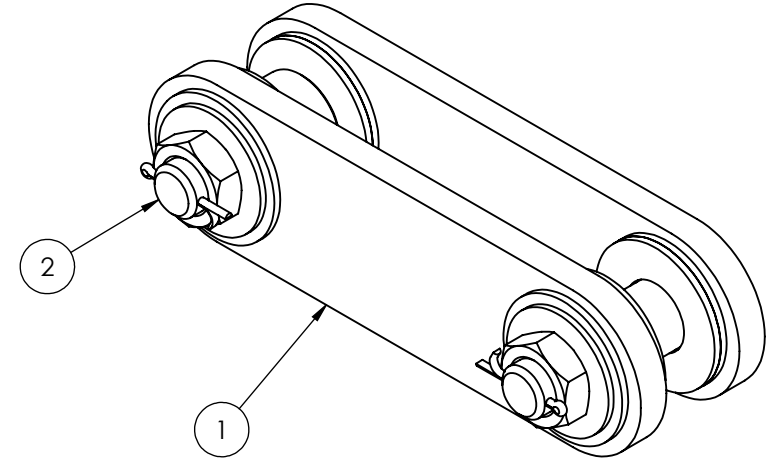
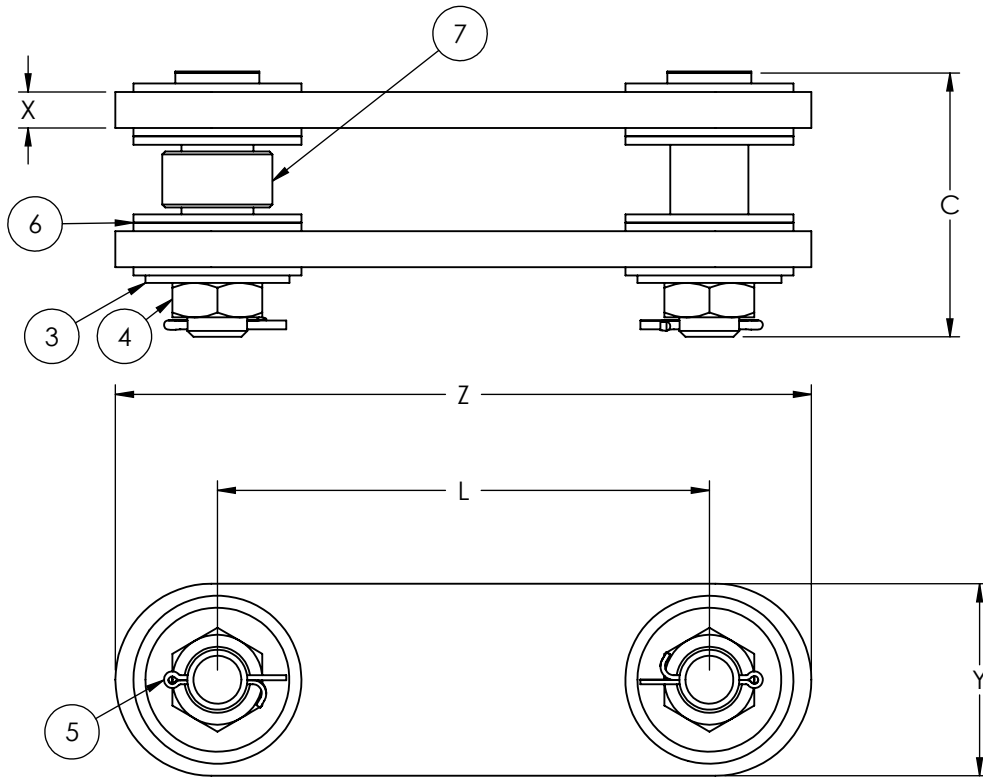


Cap	Kit #	Plate p/n	Pin 1 p/n	PIN # 1	Nut Washer	Nut	Cotter Pin	Washer	Qty	Bushing*	Pin 2 p/n	PIN # 2	Nut Washer	Nut	Cotter Pin	Washer	Qty	Bushing	O/all Width	C/C	Thickness	Width	O/all Length
		ITM 1	ITM 2		ITM 3	ITM 4	ITM 5	ITM 6		ITM 7									C	L	X	Y	Z
12k	LC612-01	PC612-01	PC501	1	QW912	QV930	QP003S	QW901	6	PC401*	PC502	1,25	QW912	QV930	QP003S	QW902	6		4,23	3,75	0,5	3	6,75
18k	LC618-01	PC618-01	PC502	1,25	QW912	QV930	QP003S	QW902	4	PC118*	PC503	1,375	QW912	QV930	QP003S	QW906	4		4,23	4,25	0,625	3	7,35
35k	LC635-01	PC635-01	PC502	1,25	QW912	QV930	QP003S	QW902	2	PC429*	PC502	1,25	QW912	QV930	QP003S	QW902	2	PC423*	4,23	4,25	0,75	4	8,25
35k	LC635-02	PC635-02	PC506	1,625	QW902	QV950	QP003S	QW903	6		PC504	2	QW907	QV951	QP004S	QW904	6	PC428*	5,84	7,25	0,75	4	11,5
35k	LC635-03	PC635-03	PC506	1,625	QW902	QV950	QP003S	QW903	6		PC505	1,5	QW902	QV950	QP003S	QW903	6	PC424*	5,53	10,25	0,75	4	14,5
35k	LC635-04	PC635-04	PC506	1,625	QW902	QV950	QP003S	QW903	6		PC505	1,5	QW902	QV950	QP003S	QW903	6	PC424*	5,53	36	0,75	4	40,25
35k	LC635-09	PC635-09	PC522	2,25	QW903	QV951	QP004S	QW904B	4		PC506	1,625	QW903	QV950	QP003S	QW903	4		5,84	6	0,75	4	10,1
60k	LC660-01	PC660-01	PC506	1,625	QW902	QV950	QP003S	QW903	2	PC108*	PC506	1,625	QW902	QV950	QP003S	QW903	2	PC108*	5,53	5,25	1	5	10,25
60k	LC660-02	PC660-02	PC508	2,25	QW903	QV951	QP004S	QW904B	4	PC114*	PC507	2	QW903	QV951	QP004S	QW904	4	PC115*	6,34	5,25	1	5	10,5
60k	LC660-03	PC660-03	PC508	2,25	QW903	QV951	QP004S	QW904B	4	PC114*	PC507	2	QW903	QV951	QP004S	QW904	4	PC115*	6,34	11,25	1	5	16,5
60k	LC660-04	PC660-04	PC508	2,25	QW903	QV951	QP004S	QW904B	4	PC114*	PC507	2	QW903	QV951	QP004S	QW904	4	PC115*	6,34	24	1	5	29,25
60k	LC660-05	PC660-05	PC509	2,5	QW904	QV952	QP004S	QW904C	10		PC509	2,5	QW904	QV952	QP004S	QW904C	10		8,09	7,25	1	5	12,5
60k	LC660-06	PC660-06	PC509	2,5	QW904	QV952	QP004S	QW904C	10		PC509	2,5	QW904	QV952	QP004S	QW904C	10		8,09	11,25	1	5	16,5



\* Bushings not included. Required bushings included with load cell when load cell and adapter plate kit are ordered together.

All dimensions are in inches  
The information in this document is subject to change without notice

**PROPRIETARY AND CONFIDENTIAL**

THE INFORMATION CONTAINED IN THIS DRAWING IS THE SOLE PROPERTY OF LOAD SYSTEMS INTERNATIONAL. ANY REPRODUCTION IN PART OR AS A WHOLE WITHOUT THE WRITTEN PERMISSION OF LOAD SYSTEMS INTERNATIONAL IS PROHIBITED.

**BTS CRANE PARTS INC**

**AUTHORIZED DEALER  
TRIMBLE - LSI**

**PARTS-TEAM@BTS CRANE.COM  
+1.303.433.8878**

PART NO: LC6XX-XX DWG NO: DS-LC6XX-XX REV: 6

DESCRIPTION:  
**Adapter Plate Kits**